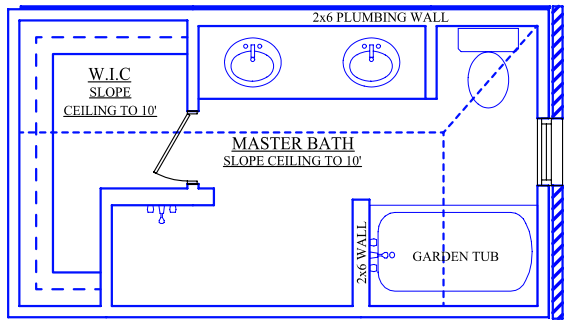
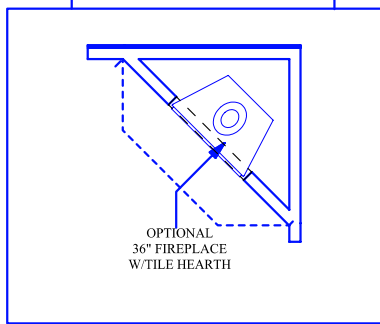


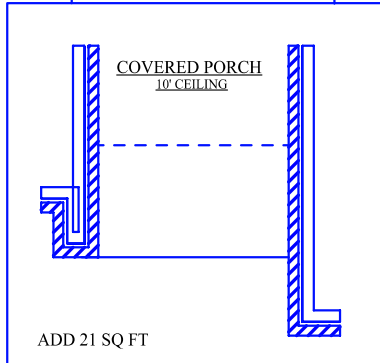
DELUXE MASTER BATH OPTION



FIREPLACE OPTION

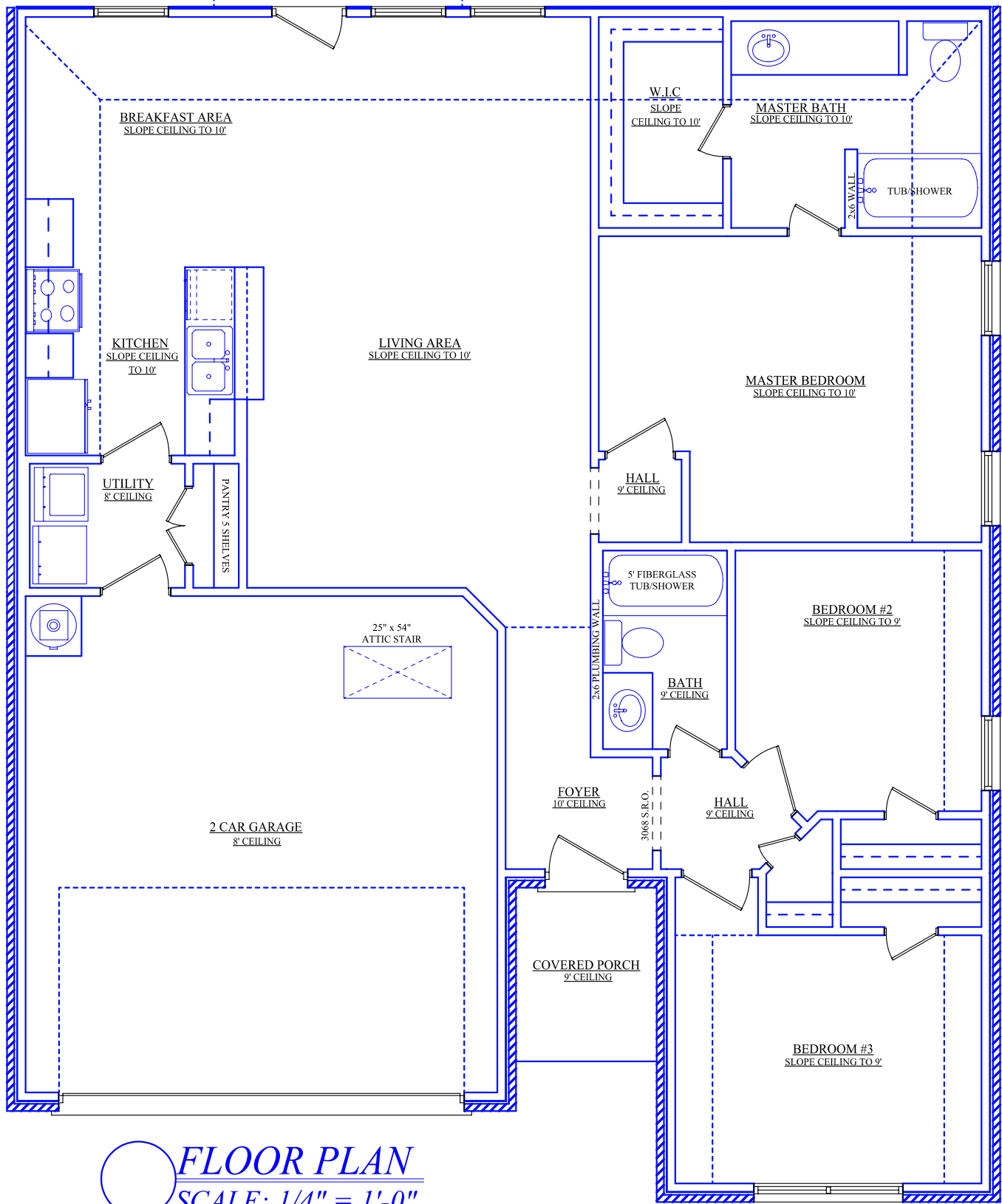


PORCH EXTENSION ELEVATION "C" ONLY



AREA TOTALS

- LIVING AREA 1354
- 2 CAR GARAGE 426
- COVERED PORCH 40
- TOTAL SLAB 1820
- OPTIONAL PATIO 100
- TOTAL SLAB 1920



FLOOR PLAN
SCALE: 1/4" = 1'-0"



16' x 1' OVERHEAD DOOR 3068 EXT. METAL DOOR 3060 5H TWIN ALUMINUM W/ LOW-E GLASS @ 6'8" H.H.

A FRONT ELEVATION
SCALE: 1/4" = 1'-0"



16X1 OVERHEAD DOOR 3068 ENTRY DOOR W/ 3418 TRANSOM ABOVE 3060 5H TWIN EB ALUMINUM WINDOW @ 6'8" H.H.

B FRONT ELEVATION
SCALE: 1/4" = 1'-0"



16X1 OVERHEAD DOOR 3068 ENTRY DOOR W/ 3418 TRANSOM ABOVE 3060 5H TWIN EB ALUMINUM WINDOW @ 6'8" H.H.

C FRONT ELEVATION
SCALE: 1/4" = 1'-0"